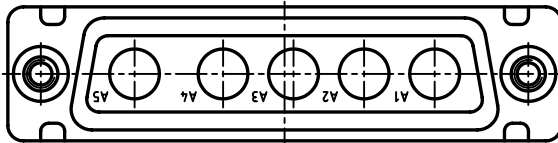
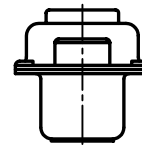
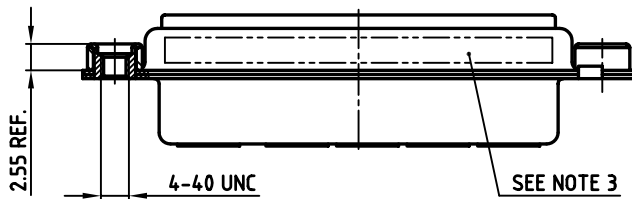
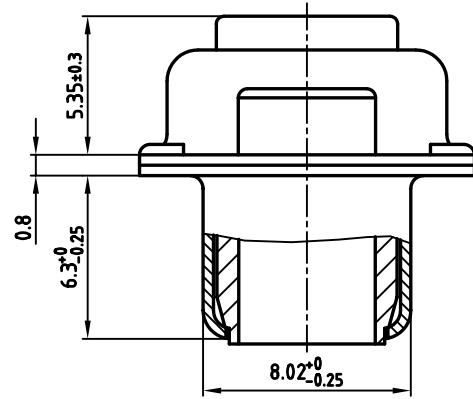
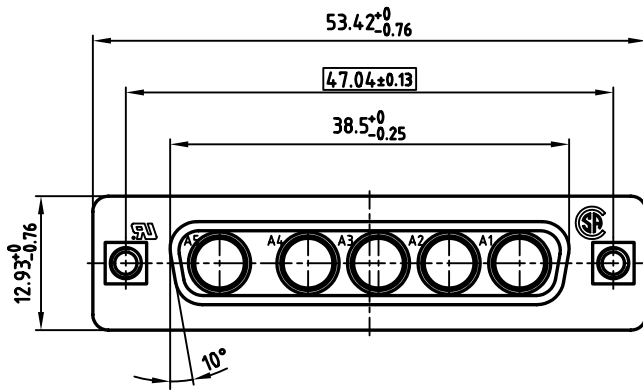


used for: D-SUB COMBINATION

5:1



NOTES:

1. METALSHELLS: STEEL; min. 320μ " TIN
2. INSULATOR: PBT GF, UL 94 V-0; GREEN
3. CONNECTOR IS PART MARKED: PART NO: CONEC Y/WW
4. = CRITICAL DIMENSION

Directive 2002/95/EC
 „RoHS“
 Compliant

THIS DRAWING MAY NOT BE COPIED OR REPRODUCED IN ANY WAY, AND MAY NOT BE PASSED ON TO A THIRD PARTY, WITHOUT WRITTEN PERMISSION. OWNERSHIP AND COPYRIGHT OF CONEC GMBH DO NOT ALTER CAD DRAWING BY HAND

rev.	description	date	name

tolerance		scale: 2:1 (5:1)
material: SEE NOTES		material: SEE NOTES
title: D-SUB COMBINATION FEMALE 5W5S WITHOUT CONTACTS		
dwg no: AutoCAD 2000		DIN-A
13K1A692		3
part no: 3005W5SXX99A30X		sh: 1/1

